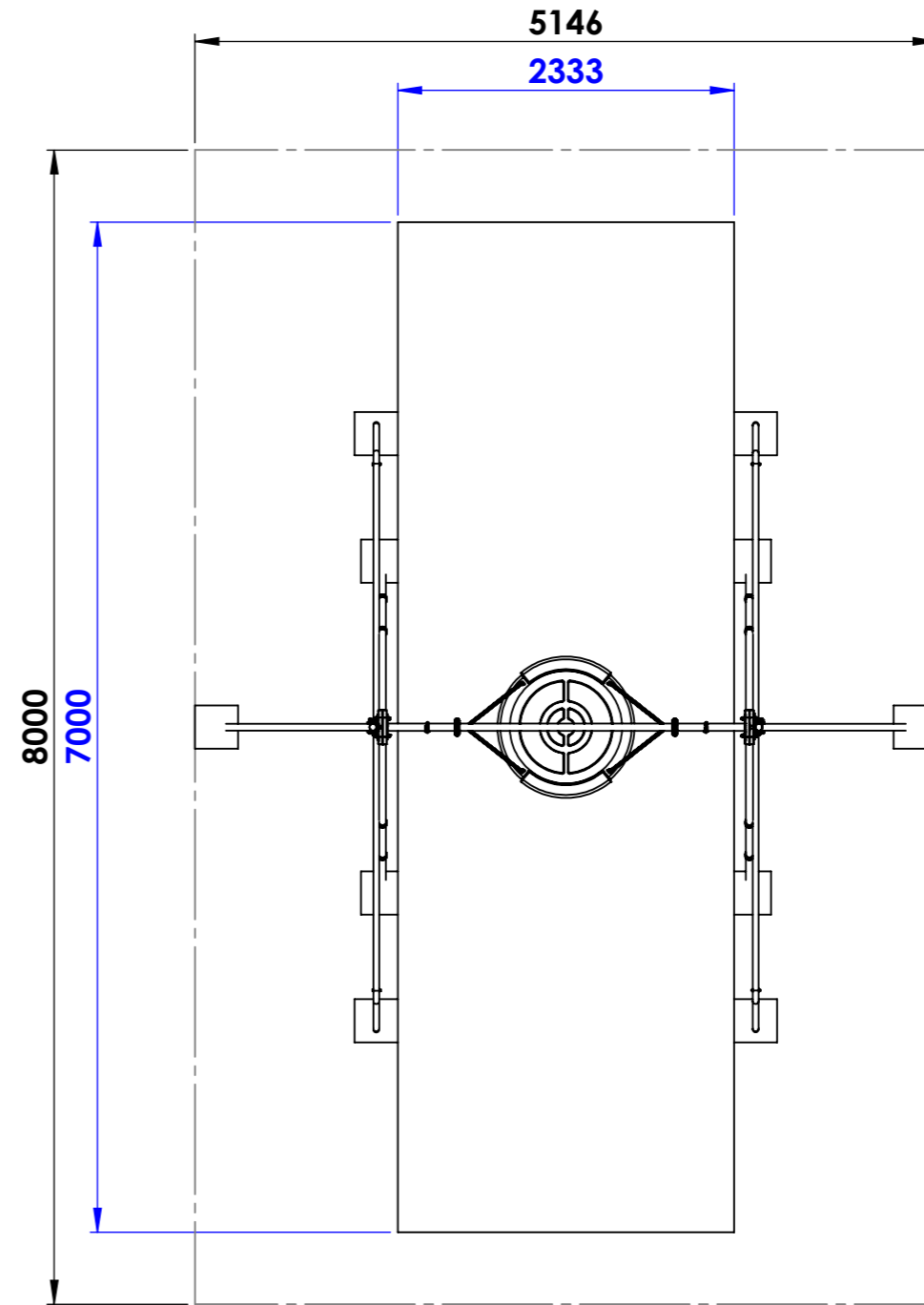
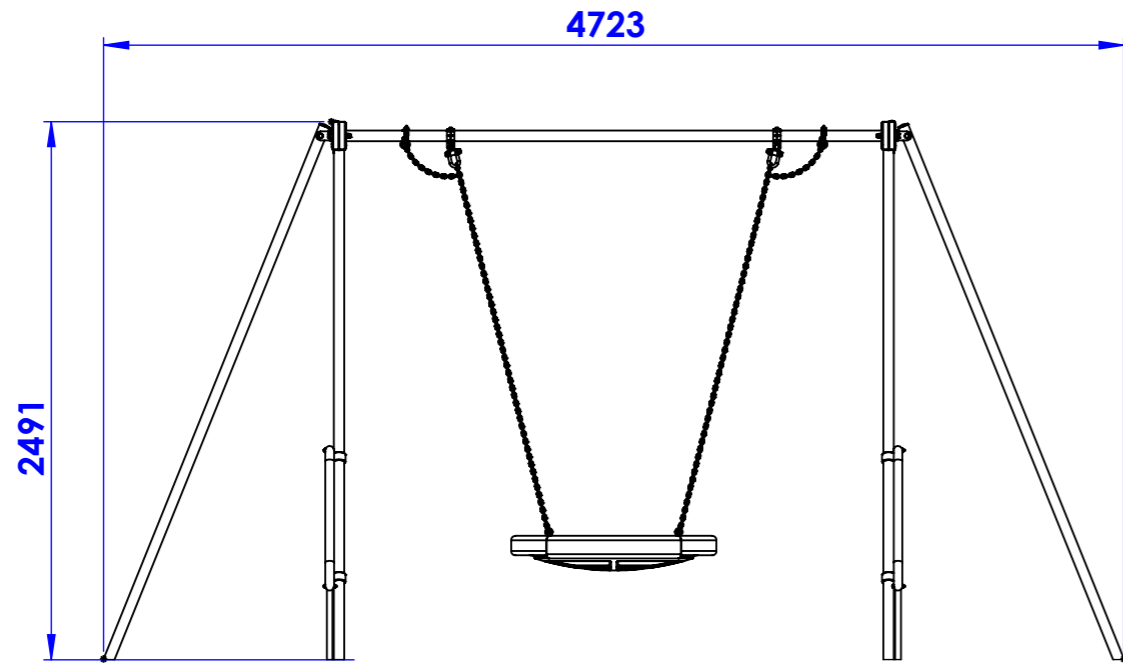


INSTALLER: MUST READ THOUGH ALL INSTALLATION DOCUMENTATION/INSTRUCTIONS PROVIDED

Item	Type	Min Qty.
Wetpour (m ²)	FFH 1.51 m	16.33
Unit Fix (m ³)	1:2:4 Concrete	0.36
Surfacing Base (m ³)	MOT Type 1	1.63
Length of Edging (m)	Perimeter	18.67

ESTIMATED QUANTITIES ONLY



Current Drawing Status	
Manufacturing Manual	60

This drawing must not be copied or passed on to a third party without the specific permission of G.L. Jones Playgrounds Ltd.
 This drawing is supplied on the understanding that the installer has the required skill to ensure correct installation - G.L. Jones, Ltd. can only guarantee installations completed under their direct supervision



Design
 Manufacture
 Installation

GL Jones Playground Ltd
 Station Road, Bethesda
 Gwynedd LL57 3NE
 Tel: 01248 600372
 Fax: 01248 602085

www.gljones-playgrounds.co.uk
 info@gljones-playgrounds.co.uk

This drawing is for guidance only and has been produced with the BS EN1176 & BS EN 1177 standards in mind.

The installer will need to ensure compliance with their country's standards before using this drawing.

	NAME	DATE
LASTSAVE	nathan.williams	17/09/2025
DRAWN	N.Williams	10/08/2023

DO NOT SCALE DRAWING | REVISION | 01

TITLE: 2.4m Swing with Bird Nest Seat & 2 Guards

DWG NO. A024-009

A3
 ©

Website View